

DYNAPAC SCREEDS

V240 / V3500 / V5100 / V6000 / R300





HOMOGENEOUS, RELIABLE AND PRECISE RESULT EVERY TIME!

STABILITY

Dynapac's screed is world renowned, particularly for its unmatched stability resulting from our proven four-tube guiding principle. Our screeds do not need any supporting rods, making them easy to assemble on site, so improving your operation's efficiency. Dynapac's telescopic guiding tubes ensure perfect alignment of the screed sections to guarantee you the greatest stability across the full working width of up to 9,70m. The guiding tubes only extend to 50% of their maximum length, even at maximum working width, giving you twice the stability.

FLEXIBILITY

Flexibility is key to respond effectively to the changing, and increasingly demanding, working conditions in road construction. Dynapac's screed range offers working widths from 0,3 m to 14 m, each with the choice of gas or electrical heating. Assembly times are kept to a minimum by using easy to connect extension boxes in a wide range of sizes to match the needs of your jobsite.



MADE IN GERMANY

Our screeds are designed and produced in our state of the art production facilities in Germany. Our experienced production teams work closely with the design department and customers in the field. Their knowledge and expertise is handed down through the generations and enhanced through continuous training and staff development programs. All of our suppliers are carefully selected and certified to ensure compliance with Dynapac standards.



QUALITY FOR LONGER LIFE

Dynapac uses only high end materials in production to ensure the longest lifetime regardless of application conditions. Whether laying asphalt, mineral mix, roller compacted concrete (RCC) or gravel our screed is up to the job. Our bottom plates are standardized with Hardox 500, abrasion resistant steel with a nominal hardness of 500HBW. Along with the thickness of 16mm we ensure the long lifetime and low cost of maintenance.

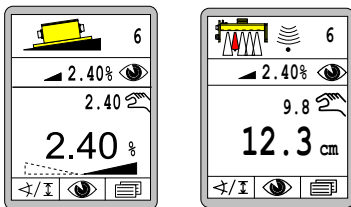
RELIABLE COMPACTION SYSTEM

Our pre-compaction system consists of a tamper bar and vibratory bottom plates. Tamping and vibration speeds are infinitely variable and easy to adjust during operation. This flexible control enables you to achieve the optimum frequency setting for all mix types in any conditions. High pre-compaction values and an homogenous surface are ensured. For applications with extra thick layers we offer you our High Compaction Screed TVH, featuring a secondary vibration plate to reach the highest possible pre-compaction degree.

MANAGING...

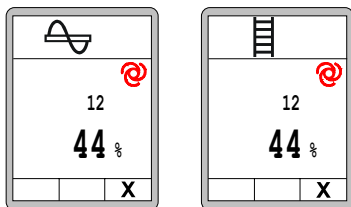
LEVELING

Each leveling system that you have connected is clearly shown in the display. You can see the actual and set value of height and slope which can easily be adjusted. The leveling cylinders are also monitored by additional LEDs on the remote controls.



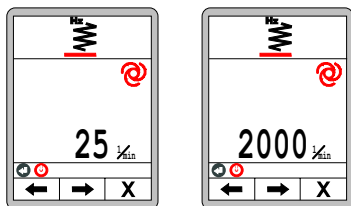
MATERIAL FLOW

It is important that material flow controls are easily accessible to be able to react to every change during operation. Therefore we have placed them directly on the panel. You have the option of automatic operation using the sensors and manual operation. The reverse function helps you adjust overflow of material and is useful when re-setting the paver. This function overwrites the automatic mode.



COMPACTION CONTROL

Tamper and vibration are continuously monitored and infinitely adjustable during operation. The tamper speed is adjustable up to 1500 rpm and the vibration up to 3000 rpm.



EASY ADVANCES OPERATION

Dynapac remote controls are easy to learn and intuitive to use. Even the most complicated operation commands are made simple. As requested by operators, the most important functions are controlled using toggle switches so they are easier to use when wearing gloves. Both sides of the paver can be controlled from one side through the crossover function.



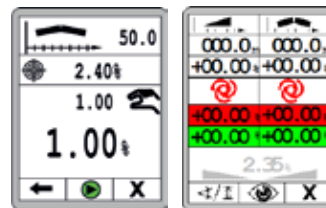
...THE PROCESS

ERGONOMIC WORKPLACE

When developing our machines we always keep the operator in mind to provide an ergonomic and safe working environment. For the screed operator we have created a self-contained workplace with our ergonomic side shield control, flexible and smart remotes and low profile, skid proof screed walking plates. The screed operator has a good overview over the working environment, to the front, to the paver operator and the in auger compartment. Both the height and angle of the sideshield can be adjusted with just one crank. Your remote control can be adjusted as you prefer and before detaching the remote, you can save the settings.

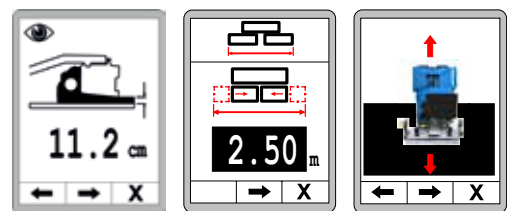
PROGRAMMABLE FUNCTIONS

To help you to tackle particularly complicated road design processes, you can set the required slope or crown profile which will then be formed automatically. A split screen function enables you to monitor and control multiple functions at the same time.



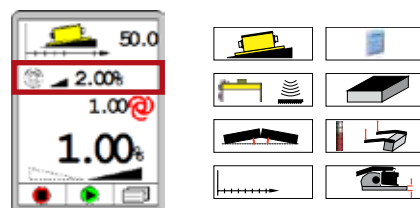
MATERIAL CALCULATION

We give you the option to continuously calculate the actual amount of material laid, and the ability to work out how much material is needed for a specific job. This can be carried out by optional layer thickness and screed working width measurement devices.



ADDITIONAL INFORMATION

A free configurable information line on the main screen allows you to monitor additional functions according to personal preferences and specific jobsite requirements.



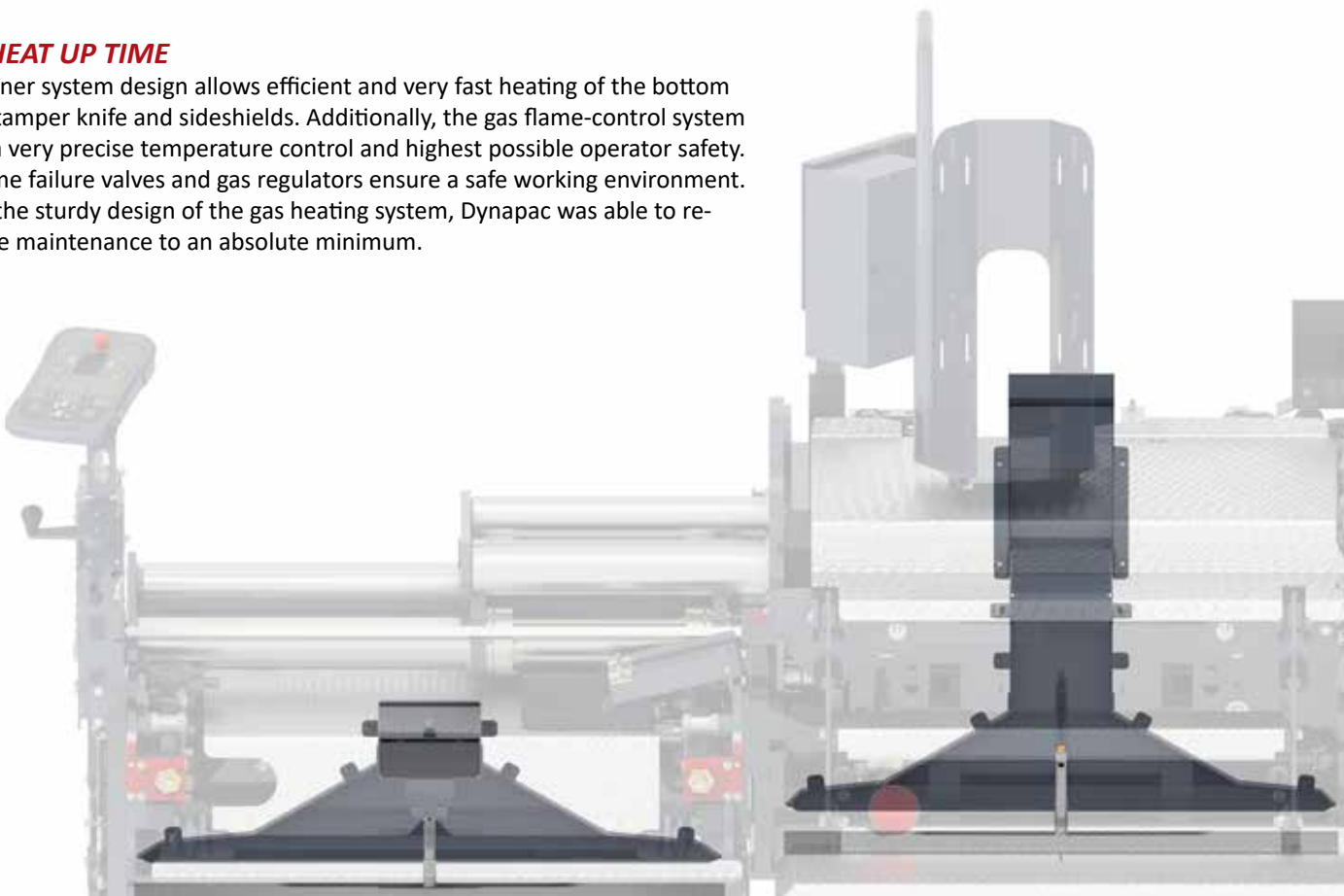
Dynapac has always focused on offering innovative solutions tailored towards your needs and preferences. We can offer you both electric and gas heated screeds with the latest heating technologies across our entire screed portfolio.

ENVIRONMENTAL FRIENDLY

The Dynapac gas heated screeds are built according to a well proven concept and are easy to operate. The gas heating system offers the advantage that it can be switched on without the machine engine running, thereby saving fuel and reducing CO₂ and particle emission. Our gas heating system is environmentally friendly with a remarkably fast heat up time and high heating power up to 100 kW!

FAST HEAT UP TIME

Our burner system design allows efficient and very fast heating of the bottom plates, tamper knife and sideshields. Additionally, the gas flame-control system allows a very precise temperature control and highest possible operator safety. The flame failure valves and gas regulators ensure a safe working environment. Due to the sturdy design of the gas heating system, Dynapac was able to reduce the maintenance to an absolute minimum.



GAS...

FAST HEAT UP TIME - HIGH HEATING POWER

ENVIRONMENTALLY FRIENDLY

SMART OPERATION AND SAFETY

HIGH EFFICIENCY

Our robust design of the heating rods significantly reduces maintenance and down-time. We have also focused on further reducing the service requirements by installing a stable cardan shaft to connect the engine to the generator. Optimally insulated heating rods ensure the maximum efficiency of the heating power.

INDEPENDENCE

Dynapac's powerful three phase generators ensure best-in-class heating at all times and under every weather condition. The innovative design of our heating rods ensures short heating up times and an optimal heat distribution over the entire bottom plate and tamper knife.

HEAT MANAGEMENT

Dynapac's electronic heat management system monitors the heating of each screed section individually. It automatically adjusts the heating based on your setting; this allows the engine rpm to be reduced which in turn reduces the noise levels and fuel consumption. The powerful generator also means you can easily add working lights such as lighting balloons up to 2000W - a huge advantage when working night shifts.

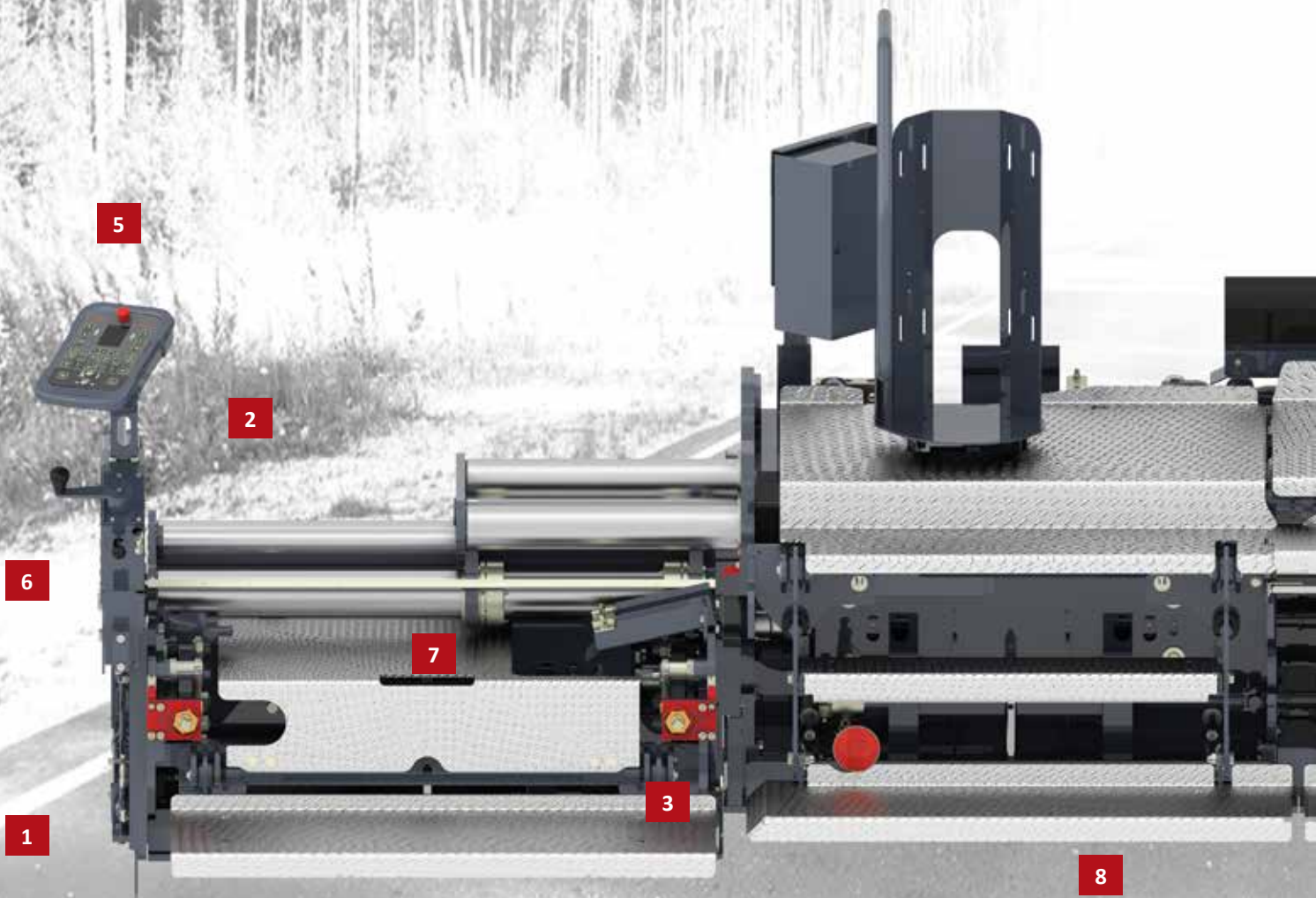


...OR ELECTRIC

EASY TO REPLACE HEATING RODS

PERFECT HEAT DISTRIBUTION

SMART OPERATION



1

SIDESHIELD HEATING

We offer gas and electric heating of both the upper and lower sideshields.

2

ERGONOMIC SIDESHIELD CONTROL

The sideshield height and slope adjustment is easily done with one crank. We also offer the option of hydraulic adjustment.

3

EXTENSION ADJUSTMENT

Easy and safe extension height and slope adjustment. Adjustable even during paving.

4

VARIOUS SIDE SHIELD VARIANTS

we offer many different side shield variants to meet all kinds of application.

5

REMOTE CONTROLS

The working area is ergonomically designed with screed operating controls both sides.

6

BOLT ON EXTENSIONS BOXES

Our extension boxes are easily mounted on site. They are available in many sizes to fit your application requirements.

7

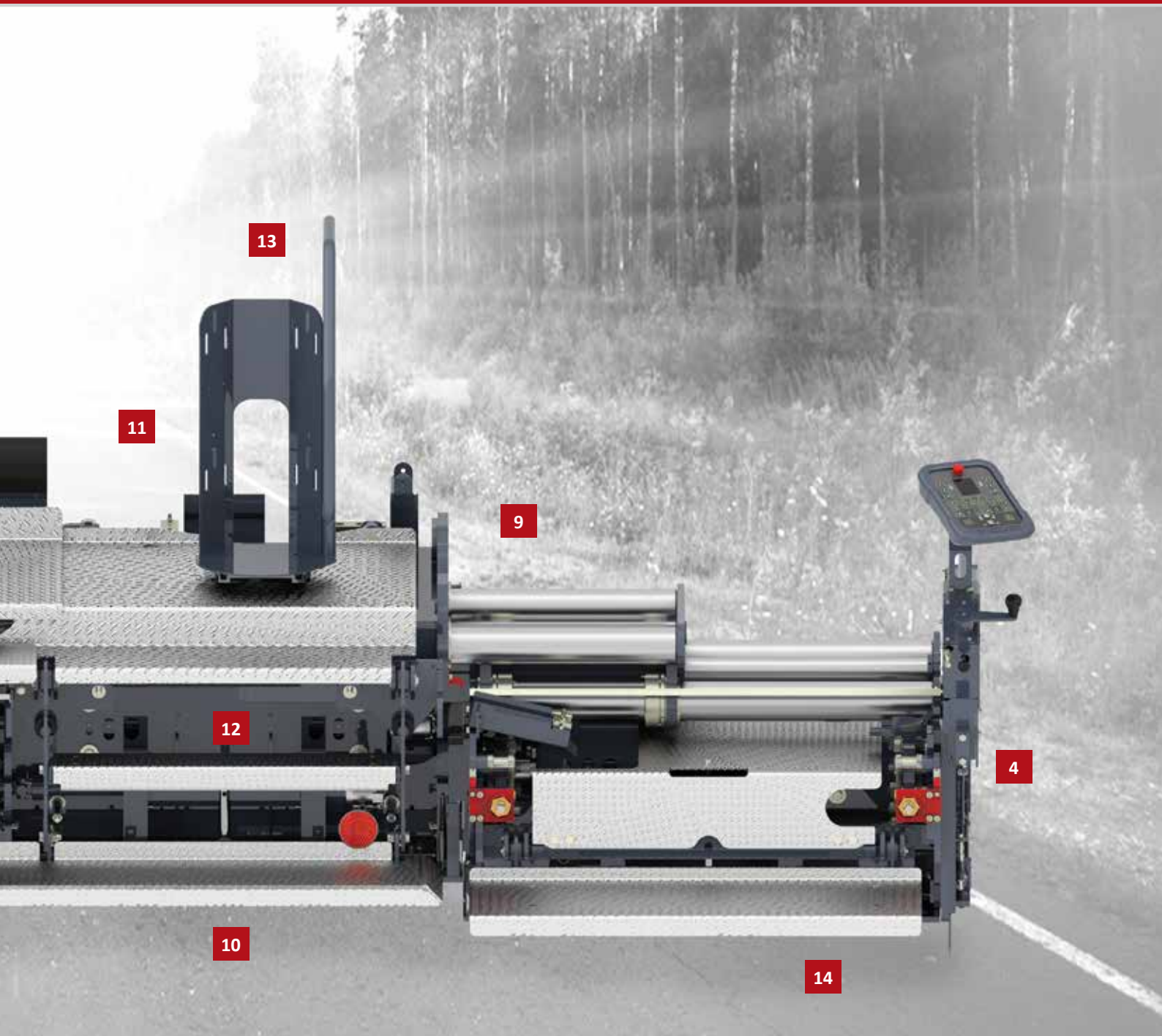
HYDRAULIC EXTENSION PARTS

Hydraulically extendable up to the double screed width over the 4-guiding tubes.

8

LOW PROFILE WALK PLATES

The low profile screed ensures an ergonomic workplace and reduces transport length.



9

4-TUBE GUIDING SYSTEM

4 telescopic guiding tubes are trapezoidally aligned and ensure the highest stability through-out the full working width of up to 9,70 m.

10

BOTTOM PLATES

Dynapac bottom plates are made of 16 mm thick Hardox 500 steel, ensuring a long lifetime even in the toughest application.

11

CROWNING

Dynapac screeds offer crown profiles from -2,5% up to +4,5%. This is easily set using a spindle or electrohydraulically.

12

PRE-COMPACTION SYSTEM

Tamping and vibration speeds are infinitely variable and easy to adjust during operation. Tamping up to 1500rpm and vibration up to 3000 rpm.

13

HEATING SYSTEMS

You can choose between gas or electric screed heating across the Dynapac range. Both options give you precise temperature control.

14

SPARE PARTS

Constant impact and friction from the asphalt mean that wear of the screed bottom, tamper bars and wear strip are inevitable. All parts are available in our All-in-one box kits.

DEEP BOTTOM PLATES & EASY TO OPERATE

These ensure an outstanding surface finish and precise paving results, the tamper and vibration can be easily adjusted through valves. With the optional revolution control, the speed of tamper and vibration can be simply monitored on the display. Positive and negative crown profiling is mechanically adjustable from -1,5 % up to +3,0 %. All screed functions like extension, retraction, screed leveling, auger turning direction etc. can be adjusted from the remotes.



FLEXIBLE OPERATION

Both screed sides are equipped with remote controls. All screed functions like extension/ retraction, screed leveling, auger turning direction etc. can be adjusted from the remotes. Height and angle of the side shield can be adjusted by two cranks and all Dynapac small screeds are compatible with the MOBA add-on leveling systems.

SMART HEATING SYSTEMS

Temperature can be set to the required level via the key pad on the dashboard. The screeds have a temperature control unit, ensuring that no energy is wasted and the screed is always at its optimum temperature. All segments of the screed (basic screed and extension parts) are temperature controlled.

MINIMUM WORKING WIDTH

The basic width of the screed can be steplessly adjusted from 1.2 m up to 2.4 m hydraulically. To reach 3.1 m simply mount the 350 mm extension boxes. When there is a requirement to pave below 1.2 m you have a choice of different reduction shoes to reach the desired working width.





V3500 VARIO SCREED FOR THE CITYPAVER CLASS MEANS **STABILITY & CONTROL**

The screeds from the F and SD of Citypavers incorporate the industry leading technology that has been proven in Dynapac's large paver screeds, ensuring the new screed range offers the key benefits and flexibility of our large paver screeds.

HIGHLIGHTS

Our screeds have a robust Dynapac screed design and dual-tube system offering best-in-class stability. They are characterized by improved insulation, heating systems, easily adjustable side shields and foot-step plates on rubber mountings. On top of that, they have integrated wirings on the side shields.

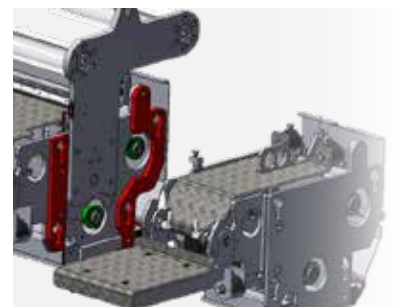
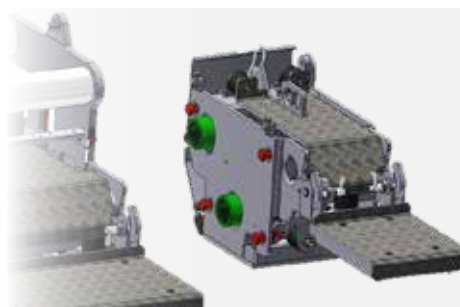


DUAL TUBE DESIGN

Dynapac's screed is world renowned, particularly for its unmatched stability. The robust Dual-tube extension supports provide best in-class stability even when paving at maximum width.

EXTENSION BOXES

The new patented quick coupling system is quick to set up, easily adjustable and time saving.



UNMATCHED STABILITY

Dynapac vario screeds are the most diverse screeds in our range. They cover the widest range of application challenges in asphalt paving. The screeds are based on a proven modular design and the Dynapac 4-tube guiding system ensuring unmatched screed stability across the whole working width. These screeds can go from 2,0 m up to 9,7 m working width and up to 36 cm laying thickness, and always with the same excellent result and clean surface structure.

FLOATING SCREED PRINCIPLE

We are firm believers in the principle of equal forces equaling best result! Meaning that if all forces acting on the screed are equal you will achieve the best possible paving result. The angle between the bottom plate of the screed and the surface being paved is known as “the angle of attack”. Any change in the level of the tow points results in a corresponding adjustment in this angle and the laying thickness.



SMART LEVELING

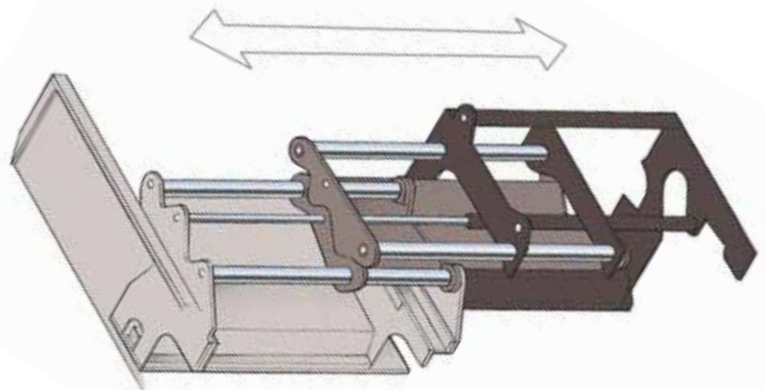
Dynapac gives you the choice of which ever leveling system you desire. Our screeds and pavers are compatible with all common systems in the market. It automatically recognizes and connects with the leveling system of your choice, e.g. Digi rotary, grade and slope sensors, the big ski and 3D leveling systems.

ADVANCED APPLICATION

We have developed advanced functions to help the operators and achieve the desired result in complicated application situations. The screed load- and unload system provides support to maintain the desired paving level. For example, the unload function can be useful when using soft paving materials as it transfers some of the screed weight to the tractor, preventing the screed from sinking into the material. The load function uses the screed lifting cylinders to transfer weight from the tractor to the screed, this avoids bumps appearing in the surface when starting with colder material after a stop.

4-TUBE PRINCIPLE

Dynapac screeds are renowned throughout the world! The screed is extremely stable due to our well-proven four-guiding tube principle which offers unmatched screed stability. Our screeds are easy to assemble as they don't need any supporting rods, even at large working widths. This allows you to fully focus on the paving process and save money on set-up times.





FLEXILEVER

The screed side arms are attached to the hydraulic leveling cylinders. Using the remote controls you can change the level of the cylinders and thereby the laying thickness when paving manually. When using a leveling system, the system automatically controls the cylinders and the tow point position. Dynapac offers a smart and simple preadjustment, the flexilever. This unique feature easily pre-sets the angle of attack to adapt to different layer thicknesses. It expands the working range of the leveling cylinder for a more flexible application.

LIFE TIME

Our screeds are sturdy and have been developed with a long lifetime in mind. All components and spare parts are produced according to the highest standards. We offer convenient spare part and emergency kits for our machines.

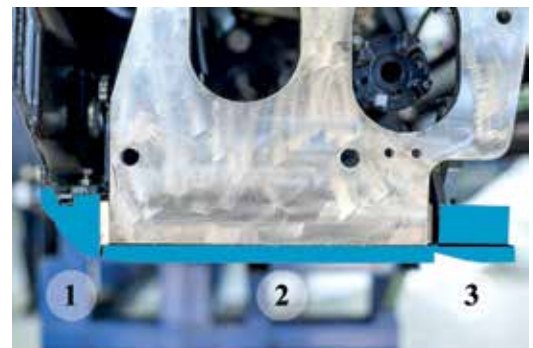


HIGH PRE-COMPACTION NEEDED?

Our latest innovation in the screed range is our Dynapac high compaction screed. This screed is specially developed for paving with roller compacted concrete (RCC). A method often used for road bases that need to take a lot of weight and must be freeze proof and not deform in adverse weather conditions, such as container terminals.

HIGH COMPACTION

The screed has the ability to compact thick layers and mineral mixes due to its secondary compaction bar. The high compaction screed follows the modular concept of Dynapac V5100 and V6000 screeds. It is available with electric heating and ensures highest compaction values up to 9,0 m working width.



Tamper Bottom plate Pressure bar

High pre-compaction can avoid cracks in the pavement during rolling and increase the stability and the lifetime of the pavement. However, pre-compacting too much might reduce the freedom of the rollers to correct small unevenness's in the road structure. Our high compaction screeds offer the perfect balance between high pre-compaction and correction opportunities for the rollers.





The working width of our rigid screed can be extended hydraulically up to 13,75m or up to 14,0m using fixed extension boxes.

BROAD PAVING WIDTHS

Dynapac has a long experience and know-how in working with rigid screeds for paving widths up to 14 m. The R300 is your best option when you require excellent compaction across large working widths. Our rigid screed is often used for airports and highways to achieve an even, joint free, finish where time is critical. The larger working width gets the job done quickly, so the area can be reopened to traffic sooner.



HYDRAULICALLY EXTENDABLE ENDS (HEE)

Our screed combines the flexibility of width adjustment with the stability and rigidity required in most applications. Hydraulically extendable ends can be fixed to the screed adding another 1m on each side.

MAXIMUM EFFICIENCY

Our rigid screed is intelligent and connected through a CAN BUS system. You can choose between gas or electric heating. From the basic width of 3m, the screed can be extended using different size extension boxes. Like our other large screeds, the R300 has levelling and *PaveManager 2.0* integrated into the remote controls.

SPARE PARTS

The R300 screed has a basic width of 3m and we offer spare parts which include bottom plates, wear strips as well as the tamper bar for replacement. In addition we also offer wear parts for different extension pieces which are 250mm, 500mm, 750mm as well as 1000mm long. In case of electric heated screed we also offer the heating elements.

TECHNICAL DATA

Screed type	V240	V3500	V5100	V6000	R300
Dimensions					
Weight (basic screed), t	0,95	1,6	3,6	3,8	2,3
Basic width, m	1,2	1,75	2,55	3	3,0
Min. working width, m	0,3	0,7	2,0	2,5	2,1
Max. working width hydraulic ext., m	2,4	4,7	5,1	6,0	
Max. working width, m	3,1	3,5	8,8	9,7	14,0
Extension boxes	350	300	350/750	350/750	250/500/750/1000
Reduction shoes	250/350	525	250	250	500
Crowning	-1,5 +3,0 %	-2,5 +4,5 %	-2,5 +4,5 %	-2,5 +4,5 %	-2,0 +3,0 %
Heating system					
Gas heating	LPG	LPG	LPG	LPG	LPG
Electrical heating	Electric	Electric	Electric	Electric	Electric
Compaction System					
Vibration (V)	YES	YES	-	-	-
Tamper & Vibration (TV)	YES	YES	YES	YES	YES
High Compaction bar (TVH)	-	-	YES	YES	-

Your Partner on the Road Ahead