

**DYNAPAC**

# **MOBILE FEEDER IMIX**

MF2500CS IMIX - MF2500CS IMIX w SW6500





IMIX FEEDER: ENGINEERED TO AMAZE

**SAVINGS**  
**ON YOUR**  
**INVESTMENT**

---



*Normal transport width is 2.55m*  
*Conveyor belt lifetime up to 3000h*  
*Less than 10l fuel per hour*  
*Impressive feeding capacity*  
*Easy and automatic cleaning*

Roads are built with quality and longevity in mind. Dynapac MF2500 IMIX feeder eliminates thermal and physical segregations, which occurs during the transport of hot mixes over long distances or uneven roads. Thanks to its flexibility and adaptability, the MF2500 IMIX enables the construction crew to respond to the condition of the incoming material and ensure the quality and durability of the installed mat. Together with its low fuel consumption, compact dimensions and reliable belt concept, the MF2500 IMIX is the ideal solution for high-quality asphalt construction sites.

# EXCELLENCE IS ALWAYS PART OF THE MIX

PULL OUT ALL THE STOPS WITH  
THE NEW IMIX FEEDER



## LONGER PAVING WITHOUT STOPPING

40 t combined material capacity - Wide conveyor and a large tunnel ensures bulk material transfer and the covers ensure that the mix stays hot.

Limited number of transfer points reduce the risk of asphalt aging, which has a negative impact on the material and lifetime of the road.

## IMPROVE THE QUALITY OF THE MIX

MX Stage 1: Conical augers push proportional the cold material from the outer area to the main hot material stream.

MX STAGE 2: Flow divider in the conveyor and mixing system at the end of the main conveyor.

## MINIMUM WEAR AND LOW RUNNING COST

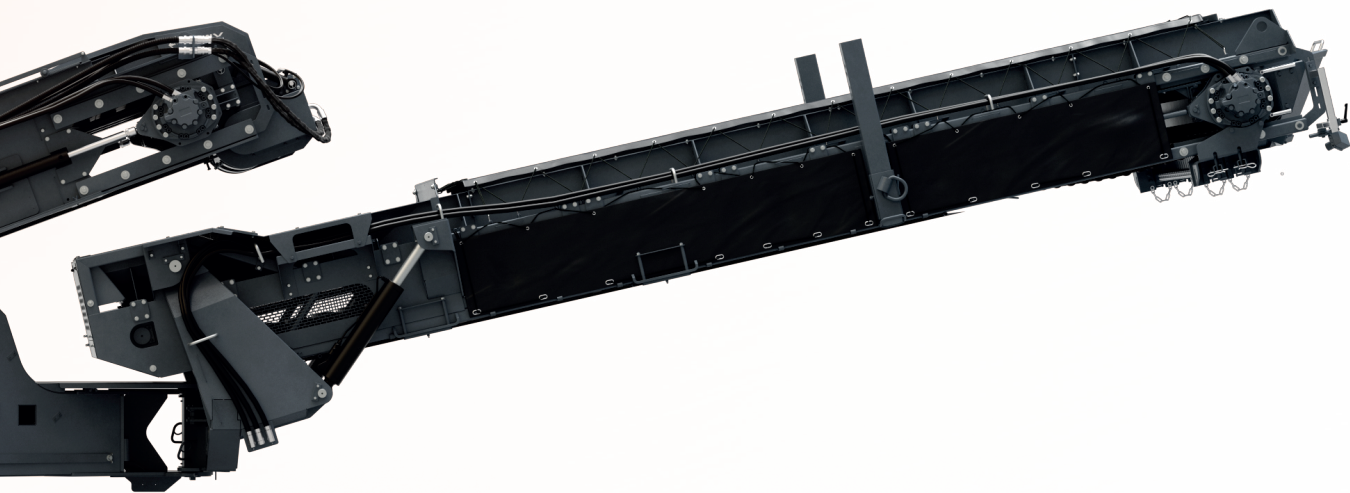
Material transfer with reduced wear and tear.

The reduced number of parts also saves on replacement and general wear & tear. And with Dynapacs long-lasting belt concept, all replacements can be planned and scheduled conveniently and predictably.



## WANT TO FIND OUT MORE?

Go to Dynapac Product Information and scan the QR code to enter the MF2500CS IMIX product site.



### STAY COMFORTABLY IN CONTROL

The Dynapac MF2500 puts the operator in focus with intuitive features like a simple-to-operate UNI panel. The optional joystick can be adjusted to the driver seat in multiple way. For a ergonomic working position. Due to the liftable platform the operator stays away from the fumes.

### PERFECT GRIP & SMOOTH DRIVE BEHAVIOUR

The long tracks and the weight of less than 25t and the low center of gravity balance out the feeder. Additionally the low weight allows paving on bridges and facilitates transport.

An efficient power concept for less than 10l/h fuel consumption results in a low CO<sub>2</sub> emission.

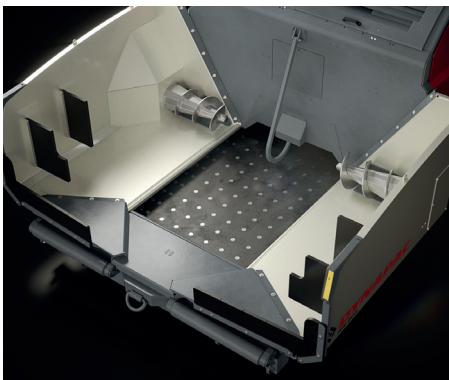
### STAY ON TOP OF THE PROCESS

The platform can be lifted steplessly up to 1m. This ensures a perfect overview for the operator for better and saver performance. Additional sensors for the belt speed and the distance between camera supports the operators on their challenging job.

# BENEFITS AT A GLANCE

The machine is versatile and can be used for materials other than asphalt, such as road base aggregates.

## GO WITH THE FLOW



### STAGE 1 MIXING INDUCES FLOW FROM THE COLD REGION

The conical augers push the cold material from the outer area to the hot center. The shape of the conical augers feed portioned colder material to the main hot material stream. If the mix is already homogeneous or cold like (eg RCC) the augers can be switched off.

Due to the high torque of the hydraulic pumps, the colder material is pushed actively to the center.

Thus, IMIX tackles thermal and physical segregation for an always homogenous mix.

## IMPROVE MIX QUALITY



STAGE 2 MIXING BRINGS FLOW BACK TOGETHER & FINALIZES THE MIX QUALITY  
The center flow divider splits up the pre-homogenized material. High wear resistant augers combines the material to a homogeneous stream.

Flexibility is a must for any paving project. That's why with the Dynapac MF2500 IMIX, both cold and non-segregated mix can be fed without engaging the MX Stage 2. When the MX Stage 2 is lifted, the throughput can go up from 1000 t/h to 4000t/h (2000 t/h with Swing conveyor attached). Among the many advantages of this function is increased throughput for cold material like RCC which is normally paved in thick layers and requires a lot of material.

The auger at the end of the belt ensures that the particles are evenly distributed.

## OPERATOR IN FOCUS



### COMFORTABLY IN CONTROL

Operators are behind the wheel of any project. That's why their comfort and safety are crucial. The Dynapac MF2500 puts the operator in focus with intuitive features like a simple-to-operate UNI panel, distance control and material sensors, as well as the handy SwingAssist function.

### IMIX SETTINGS

Since every jobsite is different, the parameters of IMIX can be adjusted to the requirements: Automatic vs. manual mode or speed. IMIX can also be switched off/ lifted up, when cold material is conveyed.

## STAY FLEXIBLE



**SWINGAPP FOR HIGHEST FLEXIBILITY**  
With the unique Dynapac SW6500 a standard MF2500CS can be transformed into a swinging feeder in around 10 to 20 minutes. The Swing App system can now be brought on hydraulically without the aid of a crane or additional mounting assistant tools.

The hydraulic jacks make the mounting easy and convenient. With a swing angle of 55° and a side reach of 3.4m, the Dynapac feeder is the perfect machine for a lot of applications.

With the optional SwingAssist the SwingApp height and angle as well as the feeder positions can be memorized and recalled easily by pressing a button on the dashboard. This feature helps the operator by supporting him during his demanding job.

## SMART FEEDING



**DISTANCEASSIST**  
The speed of the feeder is automatically controlled by a sensor, to keep the feeder and the paver in the correct distance.

Consequently the Dynapac MF2500 stays on course and the operator can concentrate on the feeding process. This ensures highest daily work capacity and quality.

Due to the LED-bar at the back of the feeder canopy the paver driver is always informed about the status of the DistanceAssist system.

## EASY CLEANING



**AUTOMATED CLEANING & HEATED SCRAPER**  
Efficiency and convenience should be a part of every job, which is why the Dynapac MF2500 IMIX, comes with an optimized cleaning concept with an automatic spraying system for the belt an enlarged release agent hose and hose connections in the front and the back of the feeder.

Additionally, the special heated scraper offers crews quick and easy cleaning after every use. Thanks to its unique design, it guarantees that residue and even particularly stick material does not get stuck on the machinery or fall on the floor. The heated scraper can also be switched off when cold material is conveyed.

---

IMIX helps equalize the temperatures within the mix while blending large and small stones. The result: quality, long-lasting roads that always look their best.

### **AVOIDANCE OF SEGREGATION**

---

Mobile feeders are a transport and conveying system which is used as a non-contact connecting element between road finishing machines and transport vehicles carrying mixed goods. A hopper for mixed goods is used for storing the material, which is transported on a heat-resistant rubber type band to a sensor controlled, automatically height adjusted conveyor at the front end of the feeder.

#### **DO NOT ALLOW AIR INTO THE MIX**

Oxygen in the asphalt let the mix age. Minimum number of transfer points reduce the risk of aging, since the risk of oxygen ingress is reduced. Least interference to the asphalt mix ensures a high quality mix.

#### **KEEP THE MATERIAL HOT**

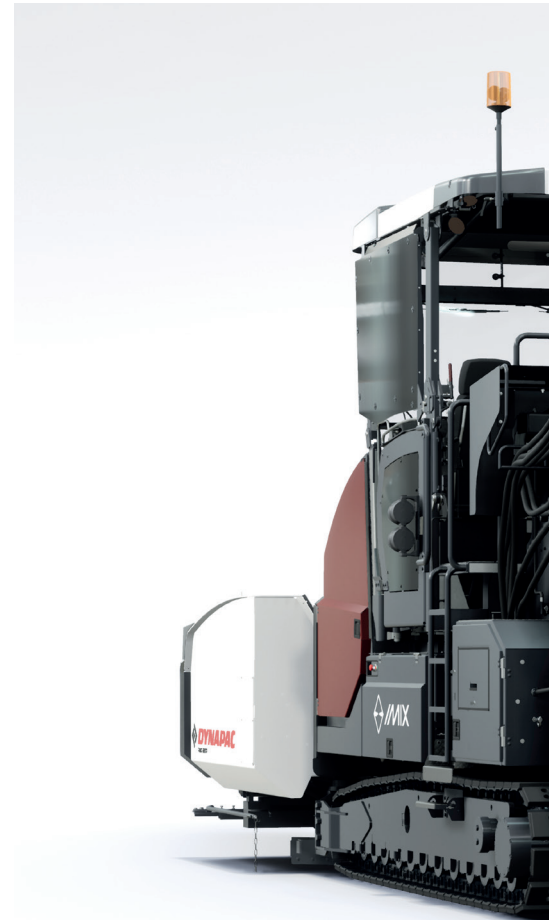
The material stays hot during transport on the belt due to the width and speed of the conveyor. Covers minimize the heat loss. Large tunnel and the unique Dynapac conveyor ensure bulk material transfer, which ensures that the mix stays hot.

### **SMART FEEDING & DISTANCE ASSIST**

---

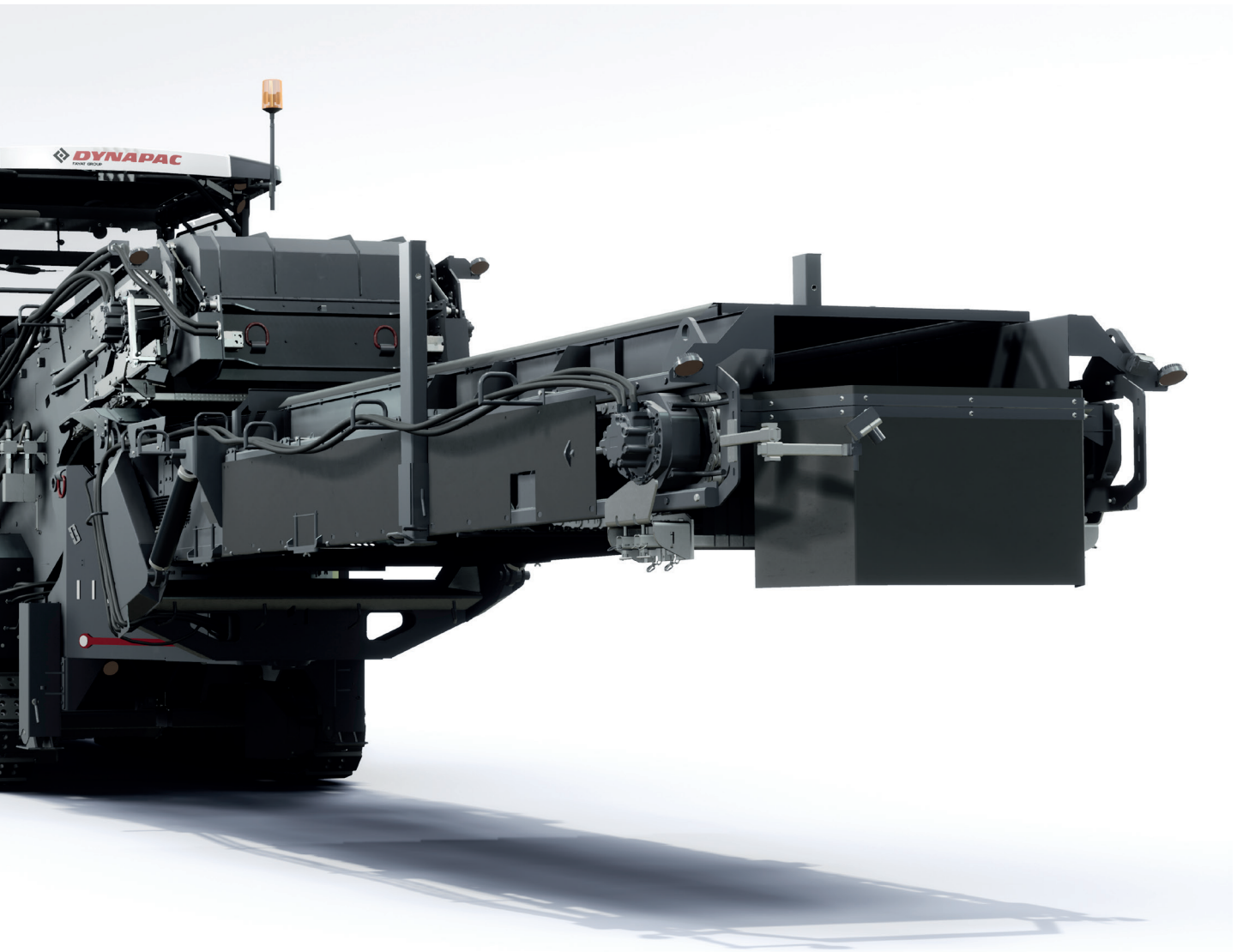
The filling sensor on the conveyor end monitors the filling degree in the paver hopper and controls the belt speed automatically. The release agent quantity can be dosed precisely according to the asphalt. Twice per day for dry asphalt up to multiple times per day. The optional steering device automatically guides the feeder.

The speed of the feeder is automatically controlled by a sensor, to keep the feeder and the paver in the correct distance. Consequently the Dynapac MF2500 stays on course and the operator can concentrate on the feeding process. This ensures highest daily work capacity and quality. Due to the LED-bar at the back of the feeder canopy the paver driver is always informed about the status of the DistanceAssist system.



**MF2500CS IMIX**  
**MIX IT UP**  
**KEEP IT HOT**





### “Two-in-one” Feeder

SwingApp stands for highest flexibility. With the unique Dynapac SW6500 a standard MF2500CS can be transformed into a swinging feeder in around 10-20 minutes.

The hydraulic jacks make the mounting easy and convenient. With a swing angle of 55° and a side reach of 3.4m, the Dynapac feeder is the perfect machine for a lot of applications.



# A PERFECT TEAM FOR A PERFECT MIX

Dynapac MF2500CS – It is the perfect partner for high quality results: Major increase of lifetime of highways, and of country roads (incl. tunnels and bridges). At the same time, this leads to a major decrease of the environmental footprint.

## JOB SITE CONFIDENCE

With the adjustable comfort seats, a liftable platform and a seat position that can be rotated 90°, you always assume the optimal position.

## HIGH PRODUCTIVITY

Material can be easily stored on the wide belt in combination with the 7m<sup>3</sup> hopper and the MH2500 to buffer material shortages from the asphalt plant.

## MAXIMUM UPTIME

Flexibility is a must for any paving project. That's why the Dynapac MF2500 IMIX can feed both cold and non-segregated mix without having to turn on MX Stage 2. Like RCC, which is usually paved in thick layers and requires a lot of material.

## HIGH QUALITY RESULTS

The large, high-throughput IMIX compartment provides excellent mixing capabilities for various types of blends and quantities.

## LOW COST OF OWNERSHIP

The MF2500CS has an incredibly low fuel consumption of less than 10 l/hour. The reduced number of parts also saves on replacement and general wear. And with Dynapac's long-life belt concept, all replacements can be conveniently and predictably planned and executed.

## ENVIRONMENT & SUSTAINABILITY

Every job should be completed with as few emissions as possible. That's why the Dynapac MF2500 is the feeder with the smallest environmental footprint on the market.





# TECHNICAL DATA

## DYNAPAC MOBILE FEEDER

TECHNICAL DATA	MF2500CS IMIX	MF2500CS IMIX with SW6500
<b>WEIGHT</b>		
Weight, t	20	24.5
<b>DIMENSIONS</b>		
Basic width, m	2.55	2.55
Transport length, m	9.20	15.3
Transport height, m	3.10	3.10
<b>CAPACITY</b>		
Feeding capacity, t/h	1300 (4000)*	1300 (2000)*
<b>MATERIAL HOPPER</b>		
Dumping height center, mm	580	580
Hopper width (internal), mm	3255	3255
Hopper capacity, m <sup>3</sup>	7	7
<b>TRACTION</b>		
Operating speed, m/min	25	25
Transport speed, km/h	4	4
<b>ENGINE</b>		
Model (Stage V /Tier 4f)/ power	Cummins QSB 6.7-C225 /168kW	Cummins QSB 6.7-C225 /168kW
Model (Stage IIIA)/ power	Cummins QSB 6.7-220 /164kW	Cummins QSB 6.7-220 /164kW
Electrical system, V	24	24
Fuel tank capacity, Stage V / Stage IIIA	360/295	360/295
<b>CRAWLER</b>		
Crawler length, mm	3900	3900
Crawler width, mm	320	320
Final drive	Hydrostatic direct drives comprising planetary gear units and hydraulic motors, integrated in the crawler track frame	
<b>CONVEYOR</b>		
Conveyor type	Rubber belt mounted on two chains with metal stiffeners	
Conveyor width, mm	1200	1200
Conveyor speed	constantly variable	constantly variable
Feeding height, m	2.15 up to 2.5	1.1 up to 4.15

\* With disengaged MX Stage 2